

## INSTALLATION MANUAL INDOOR PENDANT

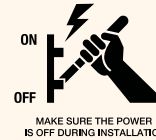
### INDEX

- A:** SINGLE UNIT INSTALLATION
- B:** CONTINUOUS INSTALLATION
- C:** WIRING DETAILS

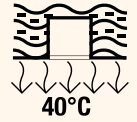


**WARNING:**

The safety and warranty of this fixture is guaranteed only if installed in compliance with below instruction manual.



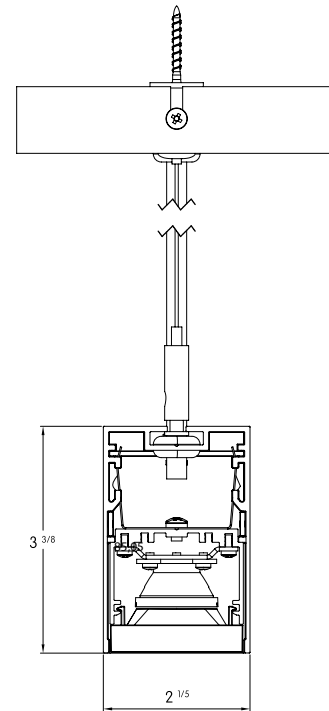
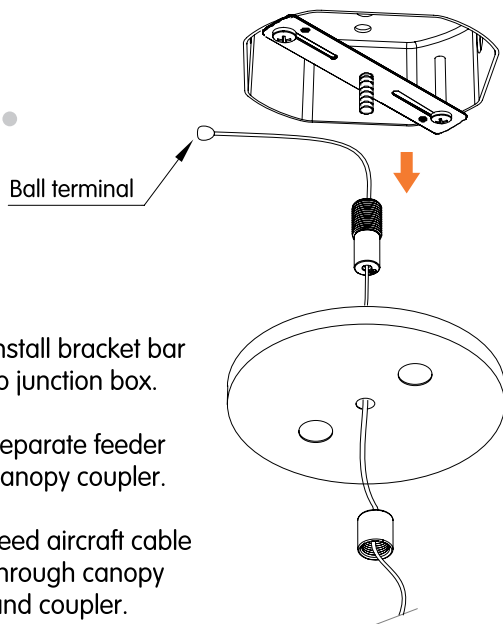
**IP20**



THE LOW SURFACE TEMPERATURE (40°C) IMPOSE NO LIMITS ON INSTALLATION

### A. SINGLE UNIT INSTALLATION

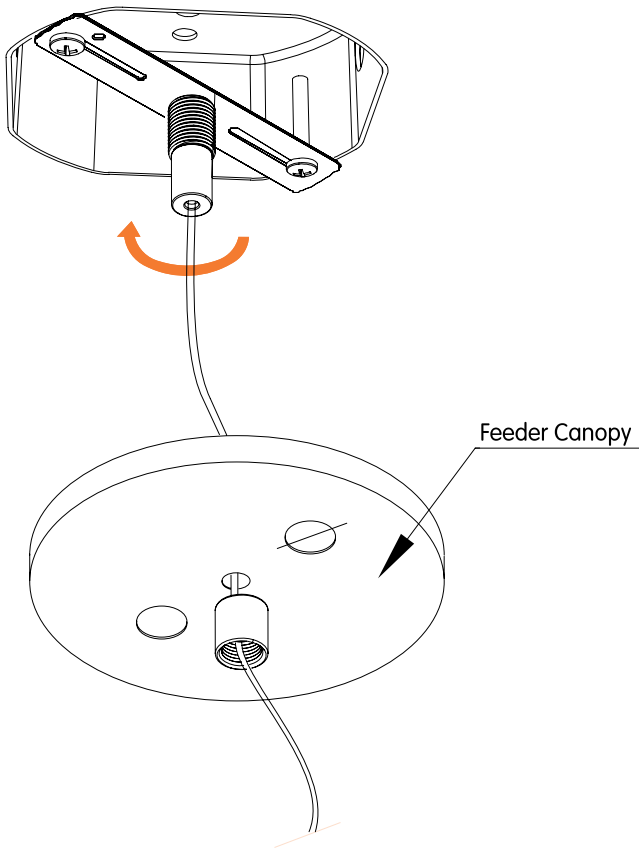
1.



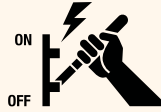
Prepare the ceiling conditions according to the factory shop drawings.

		12"		24"		36"		48"		60"					
		Height		Width		Actual Length		Actual Length		Actual Length		Actual Length			
		mm	inch	mm	inch	mm	inch	mm	inch	mm	inch	mm	inch		
Wallgrazer	Pendant	85	3 3/8	55	2 3/16	308	12 1/8	608	23 15/16	908	35 3/4	1208	47 9/16	1508	59 3/8
	Pendant Remote	65	2 5/8	55	2 3/16	313	12 3/16	613	24 1/8	913	35 15/16	1213	47 3/4	1513	59 9/16
Symmetrical Baffles	Pendant	85	3 3/8	55	2 3/16	308	12 1/8	608	23 15/16	908	35 3/4	1208	47 9/16	1508	59 3/8
	Pendant Remote	65	2 5/8	55	2 3/16	313	12 3/16	613	24 1/8	913	35 15/16	1213	47 3/4	1513	59 9/16
Honeycomb	Pendant	85	3 3/8	55	2 3/16	308	12 1/8	608	23 15/16	908	35 3/4	1208	47 9/16	1508	59 3/8
	Pendant Remote	65	2 5/8	55	2 3/16	313	12 3/16	613	24 1/8	913	35 15/16	1213	47 3/4	1513	59 9/16
Opal	Pendant	85	3 3/8	55	2 3/16	308	12 1/8	608	23 15/16	908	35 3/4	1208	47 9/16	1508	59 3/8
	Pendant Remote	65	2 5/8	55	2 3/16	313	12 3/16	613	24 1/8	913	35 15/16	1213	47 3/4	1513	59 9/16

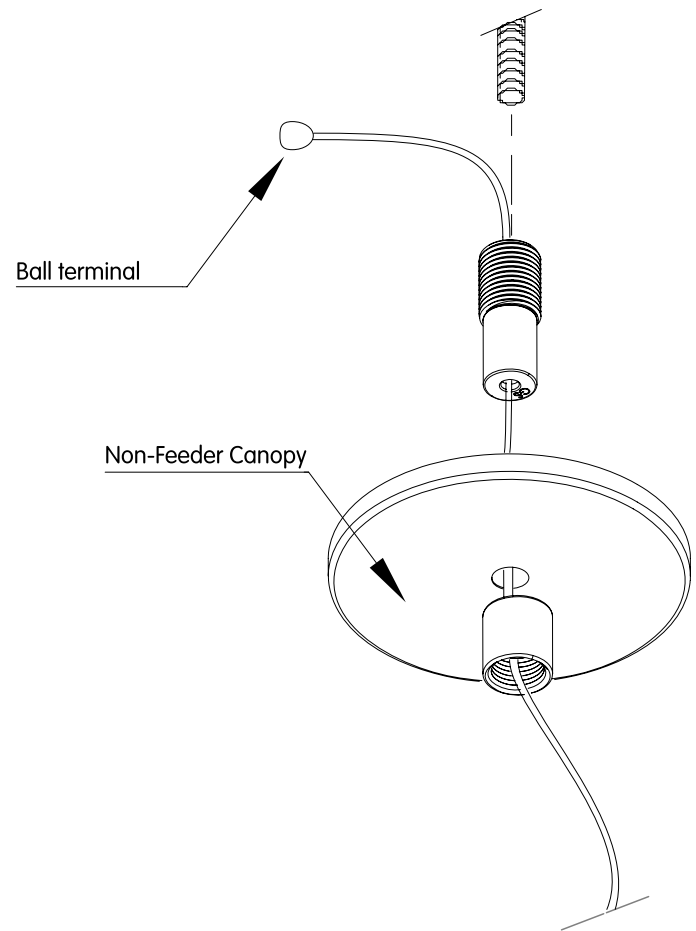
- 2.
- ▶ Screw coupler on bracket bar.
  - ▶ Leave canopy hanging.



**WARNING:** Shock hazard. Serious injury or death may occur.



Turn Off power before servicing or installing. Wire according to local and national codes. This product shall be installed by a qualified electrician.



- 3.
- ▶ Install all non-feeder canopies.
  - ▶ Keep ball terminal on high end of the cable.



**WARNING:** Failure to secure safety cables can lead to injury or death!

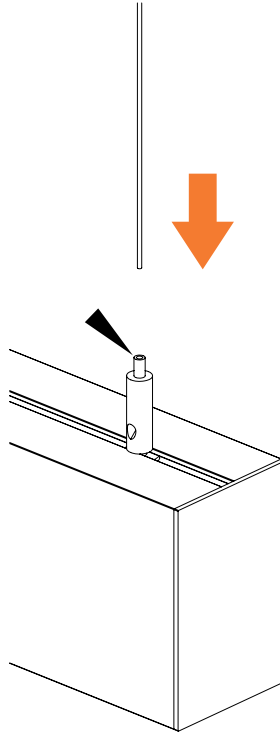
# BILLET

INDOOR PENDANT

bold  
lighting

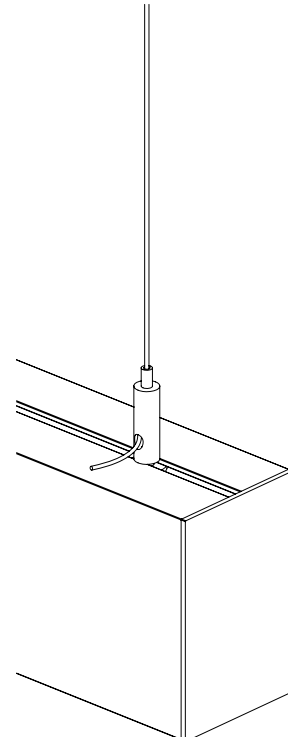
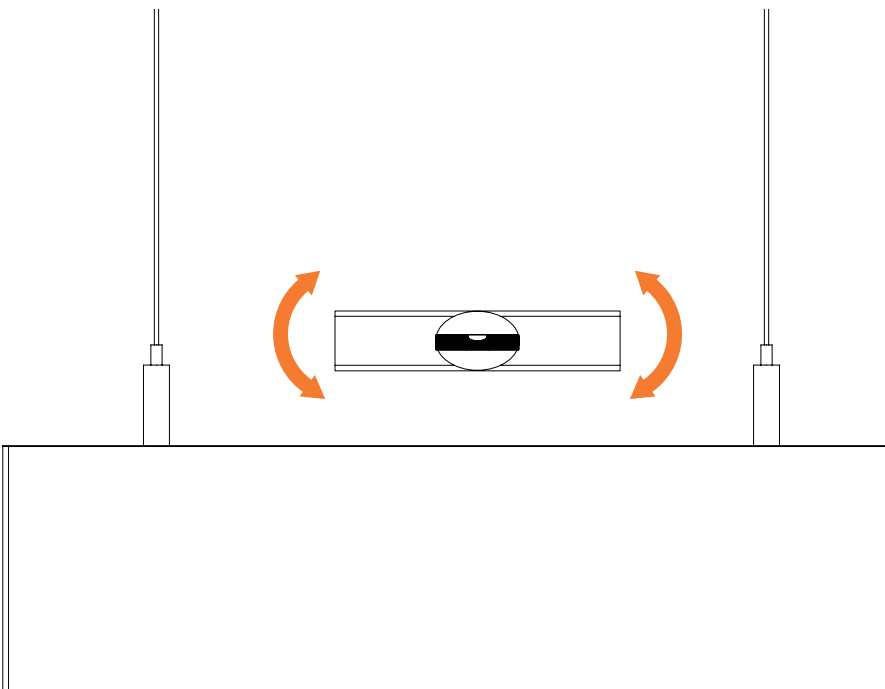
4.

- ▶ Insert aircraft cable in cable gripper.
- ▶ Press pin adjust cable length.



5.

- ▶ Adjust fixture to specified hanging height by pressing pin on cable gripper to lengthen or shorten aircraft cable.
- ▶ Ensure fixture is level before cutting excess aircraft cable.

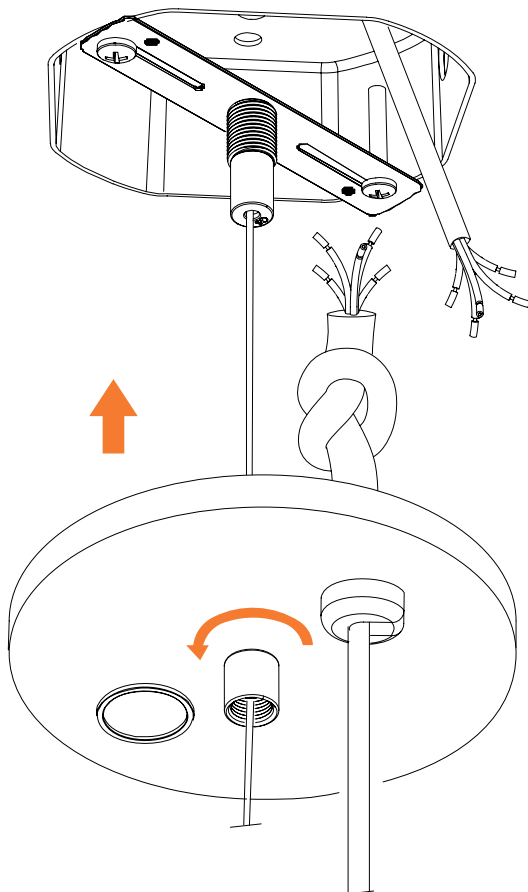
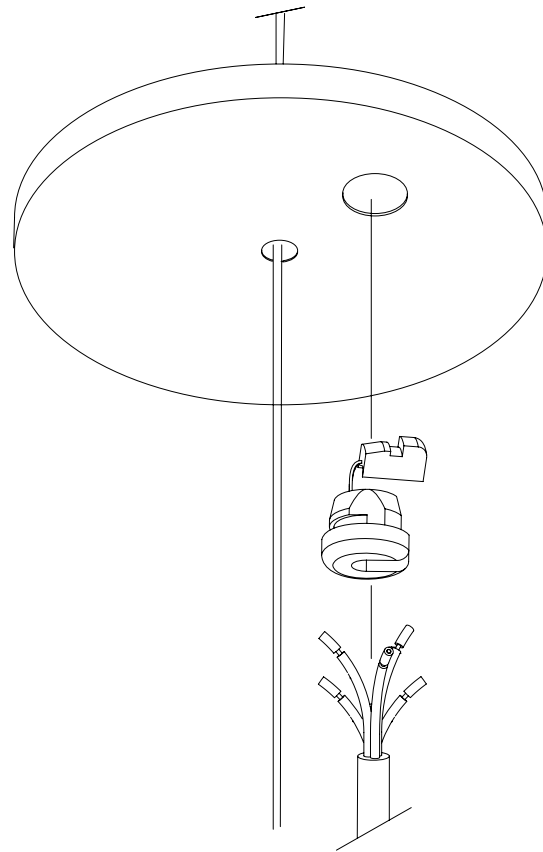


# BILLET

INDOOR PENDANT

bold  
lighting

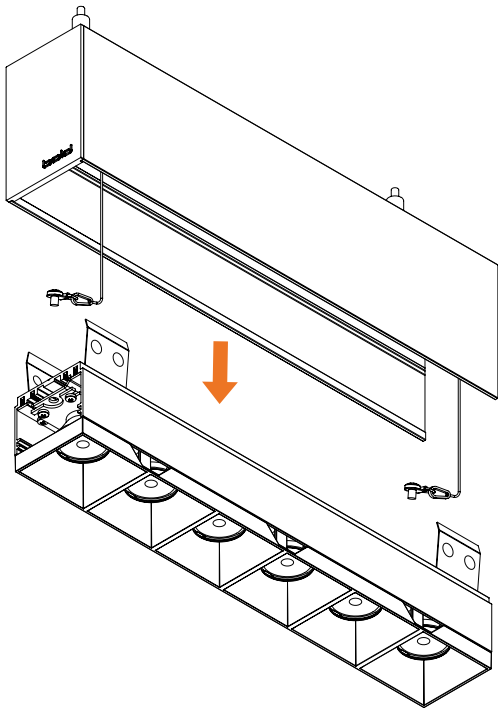
- 6.
- ▶ Install strain relief connector on feeding cable.
  - ▶ Keep enough cable length to make connections.



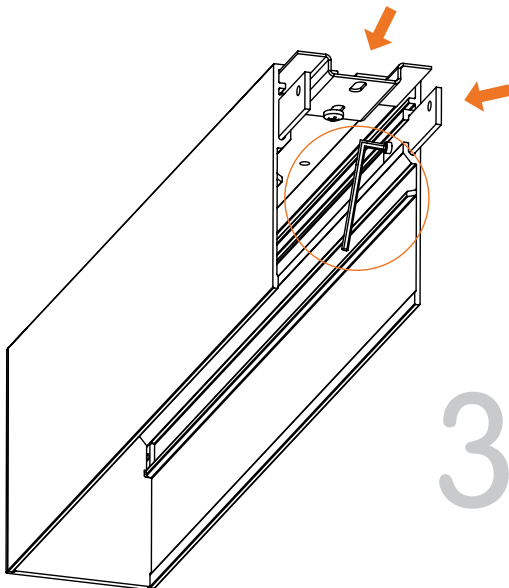
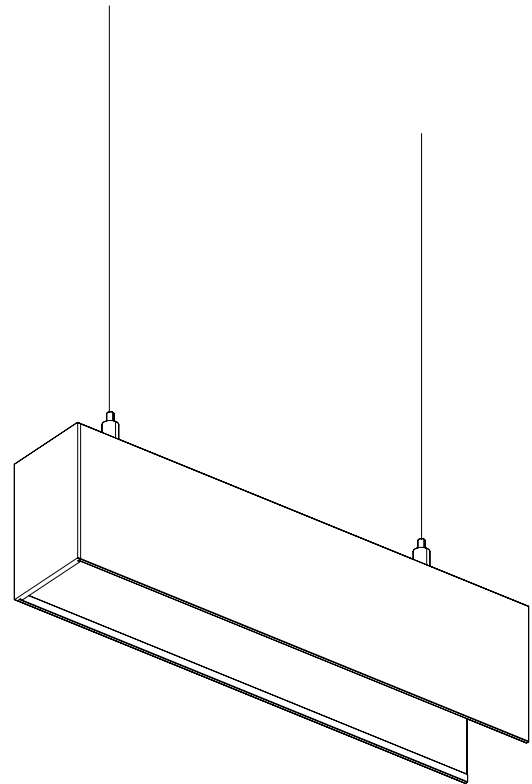
- 7.
- ▶ Tie a knot in the feeding cable.
  - ▶ Make electrical connections in junction box.
  - ▶ Install canopy.

## B. CONTINUOUS RUN INSTALLATION

- 1.
- ▶ Unclip all reflector assemblies from main profiles.
  - ▶ Remove safety cables.



- 2.
- ▶ Install beginning of run profile per Section A (single unit install), steps 1-7.

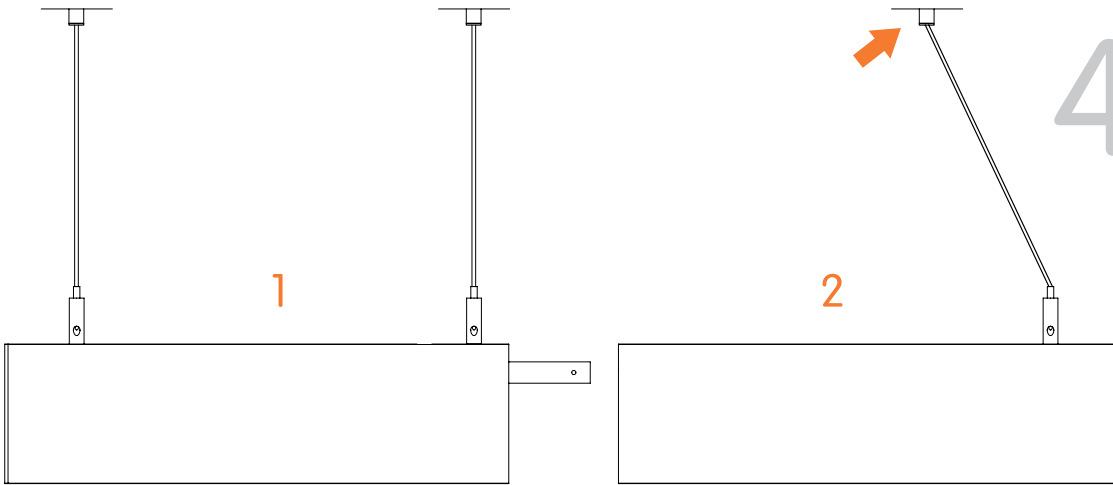


- 3.
- ▶ Slide in alignment brackets halfway into the profile and tighten them using an allen key and provided headless screws.

# BILLET

INDOOR PENDANT

bold  
lighting

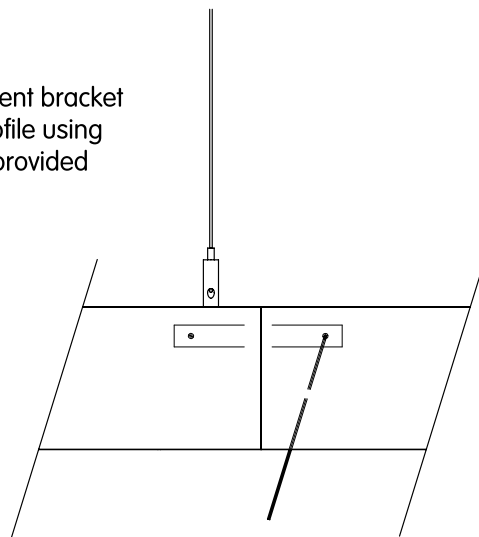


4.

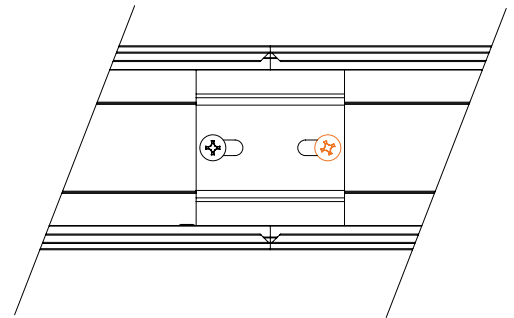
- ▶ Refer to factory shop drawings for suspension point locations.
- ▶ 1- Install middle of run suspension point per factory shop drawings.
- ▶ 2- Insert neighboring profile into alignment bracket and secure.

5.

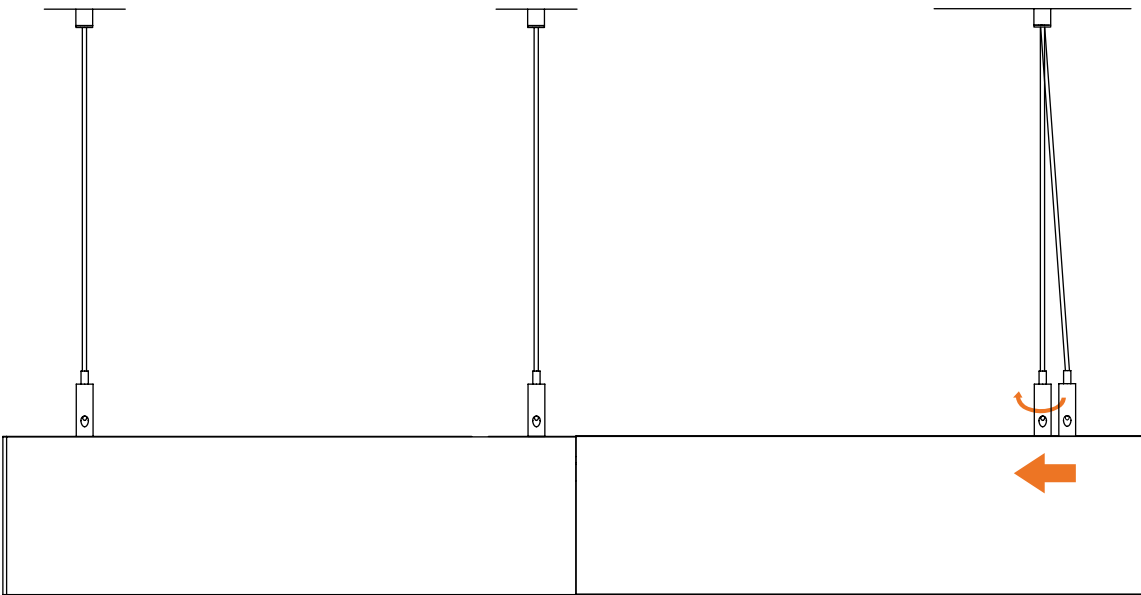
- ▶ Tighten the alignment bracket on the inserted profile using the allen key and provided headless screws.



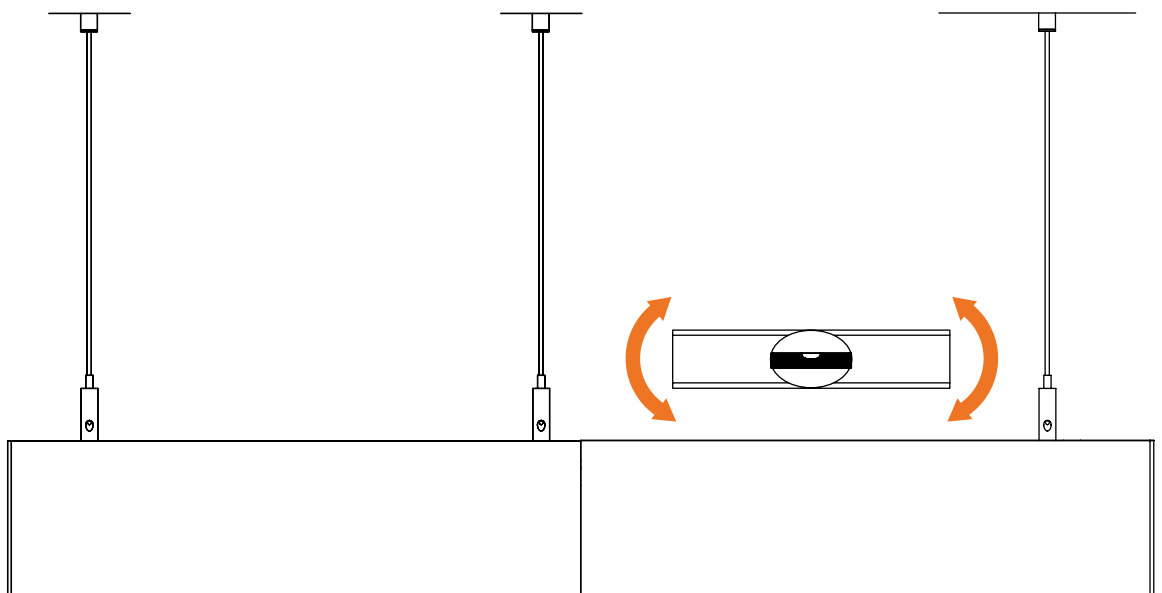
- ▶ Tighten the screws of the second alignment bracket.



6. ▶ Slide the suspension brackets in the profile until achieving verticality of the aircraft cable suspensions.



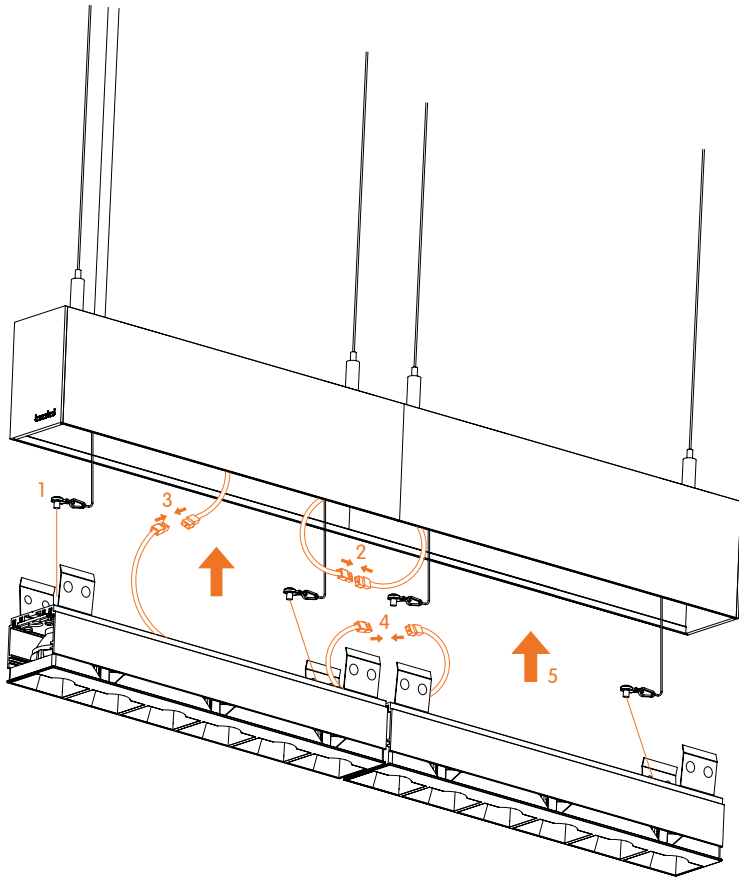
7. ▶ Ensure entire fixture assembly is level before cutting excess aircraft cable.



# BILLET

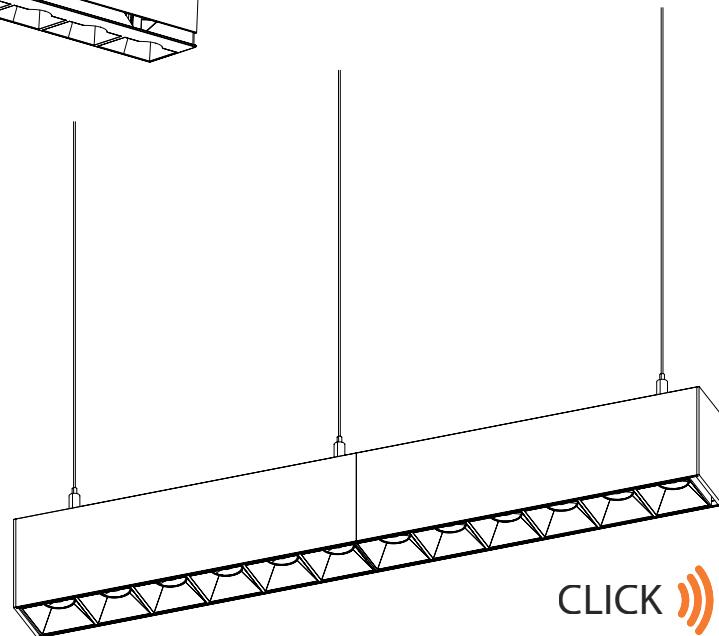
INDOOR PENDANT

bold  
lighting



## 8.

- ▶ 1- Re-attach safety cables.
- ▶ 2- Connect the mains voltage through wiring cables as shown on wiring diagrams (pages 9-11).
- ▶ 3- Connect the low voltage quick connects from the driver.
- ▶ 4- Interconnect led modules together using the low voltage quick-connects.
- ▶ Refer to the factory shop drawings for final run lengths.
- ▶ 5- Insert reflector assembly into main profile until it clicks.



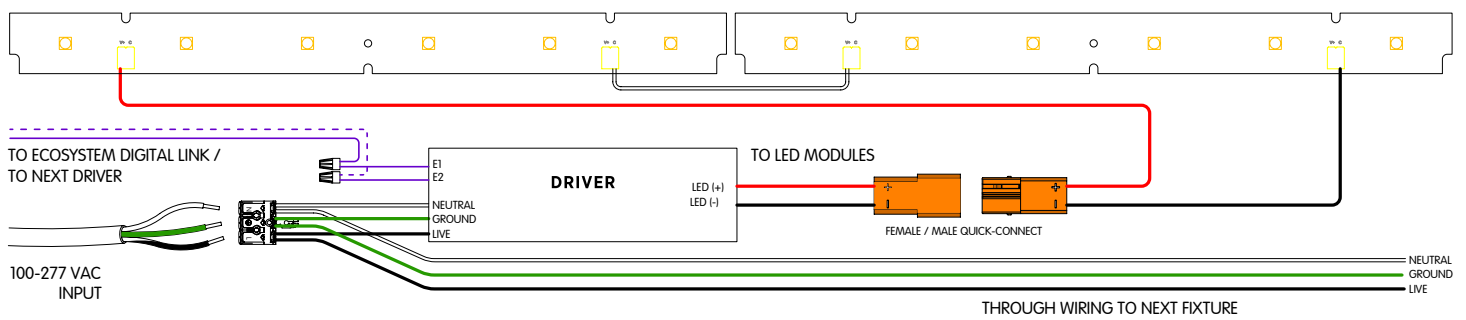
**WARNING:** Do not exceed the rated wattage of the through wiring cables or the connectors.  
For all continuous runs, refer to factory shop drawing indicating exact dimensions and feed locations.



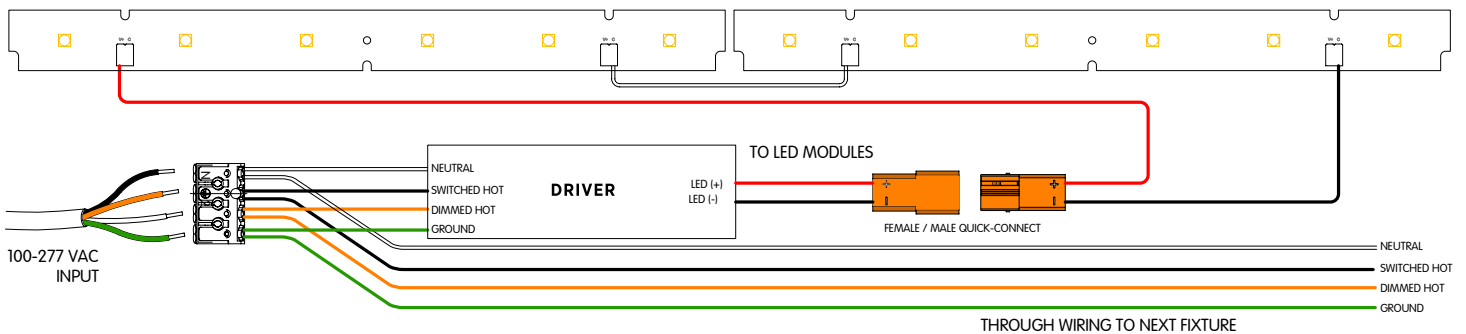
## C. WIRING DETAILS

### ► Monochromatic White

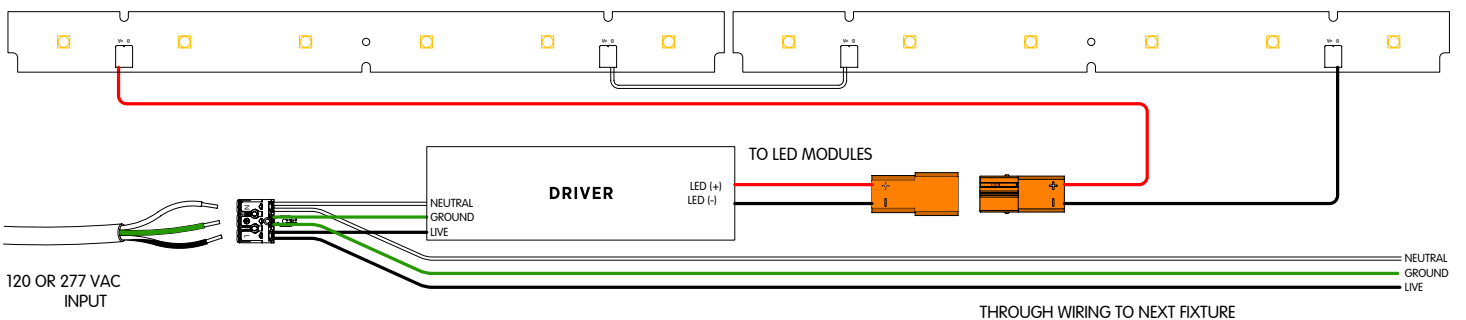
LUTRON ECOSYSTEM WIRING DIAGRAM



LUTRON 3 WIRE WIRING DIAGRAM

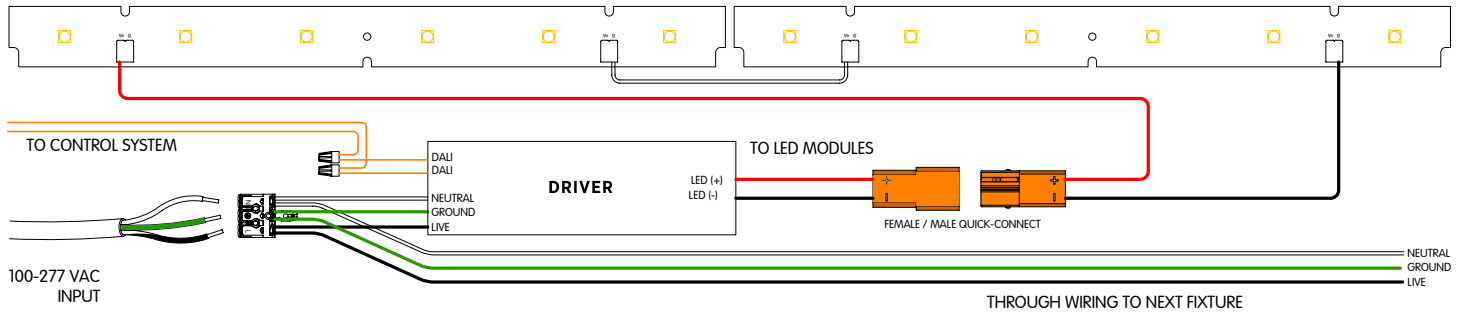


ELV / LUTRON 2 WIRE DIM / NON DIM WIRING DIAGRAM

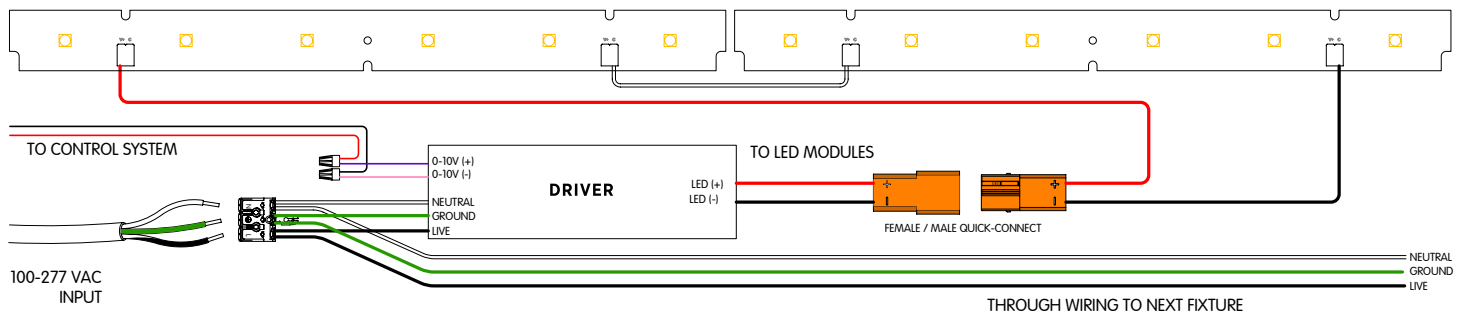


► Monochromatic White

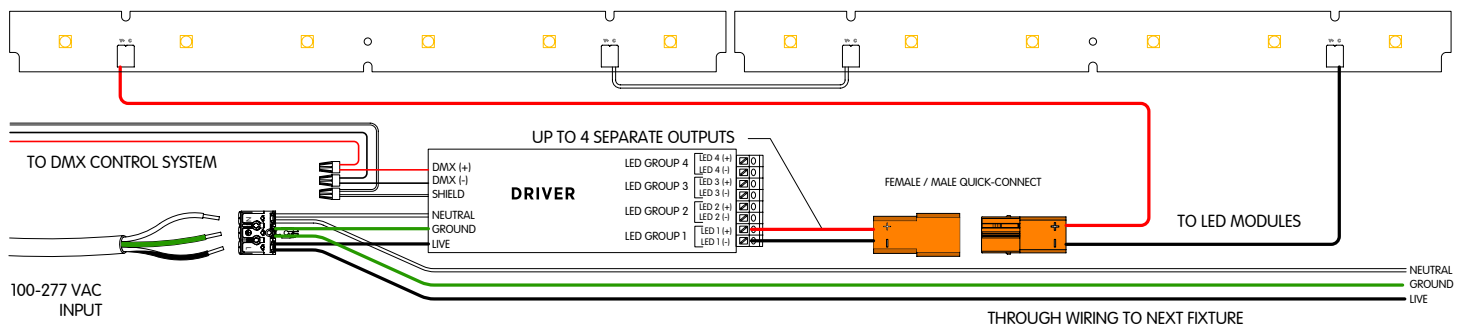
**DALI WIRING DIAGRAM**



**0-10V WIRING DIAGRAM**

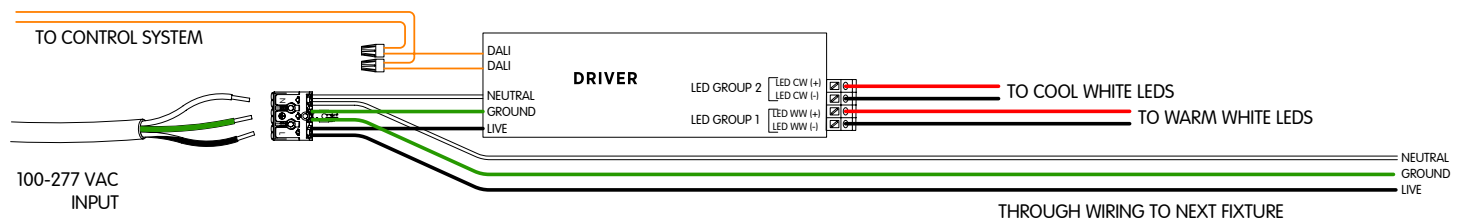


**DMX WIRING DIAGRAM**

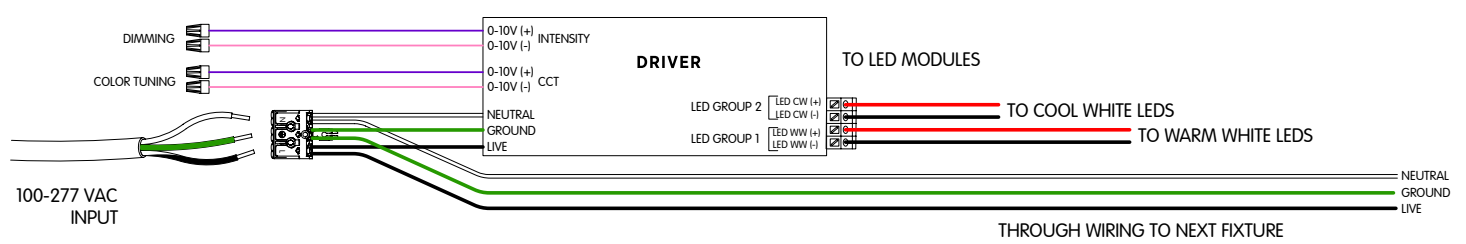


▶ Tunable White

**2 CHANNELS DALI WIRING DIAGRAM**



**2 CHANNELS 0-10V WIRING DIAGRAM**



**Failure to follow the wiring color coding and connectors pin labeling will void the fixtures warranty.**